

RECOMMENDED PCB LAYOUT
PCB THICKNESS 0.8mm
GENERAL TOLERANCE ±0.05

NOTES:

- CURRENT RATING:
3.0A MAX.
- DIELECTRIC WITHSTAND VOLTAGE:
100VAC.
- TEMPERATURE RANGE:
-30 °C ~ 85 °C.
- CONTACT RESISTANCE:
40 MILLIONHM MAX.
- INSULATION RESISTANCE:
100 MEGOHMS MIN.
- INSERTION FORCE :
5N~20N.
- UNMATING FORCE:
8N~20N.
- DURABILITY:
10,000 CYCLES.
- ALL PRODUCTS COMPLY WITH RoHS ENVIRONMENTAL REQUIREMENTS.
- MARK "▼" AS THE FOCUS, FIRST ITEM INSPECTION.
- MARK "⊗" TO MEASURE DIMENSIONS FOR FAI.

A1	A2	A3	A4	A5	A6	A7	A8	A9	A10	A11	A12
TX1+	TX1-		CC1	D+	D-		VBUS				GND
	RX1+	RX1-			D-	D+	CC2	VBUS			GND
B12	B11	B10	B9	B8	B7	B6	B5	B4	B3	B2	B1

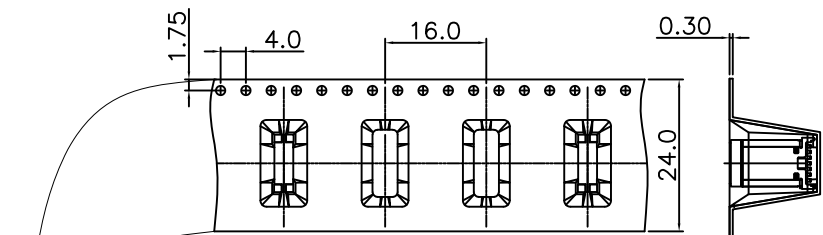
TABLE:

INSERT MOLD	SHELL	Stainless Steel,T=0.15mm;	Ni:50u"Min
	LATCH	Stainless Steel,T=0.3mm;	Electroplated semi-nickel matte tin;50u"Min;
	EMC SPRING	Stainless Steel;T=0.10mm	-----
	CONTACT	Copper Alloy;T=0.15mm	Ni:50u"Min; Au:CONTACT AREA:1u", Solder AREA:Sn 50-100u"
	PLASTIC	LCP(G.F30%) BLACK.	-----
P/N	PART NAME	MATERIALS	FINISH

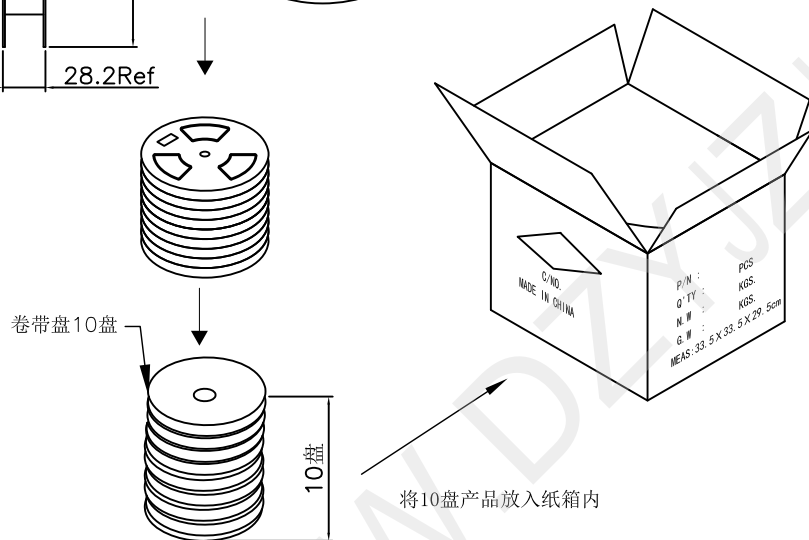
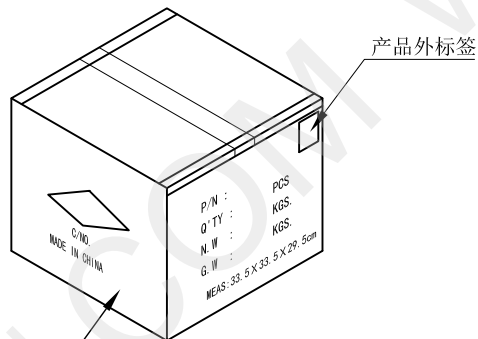
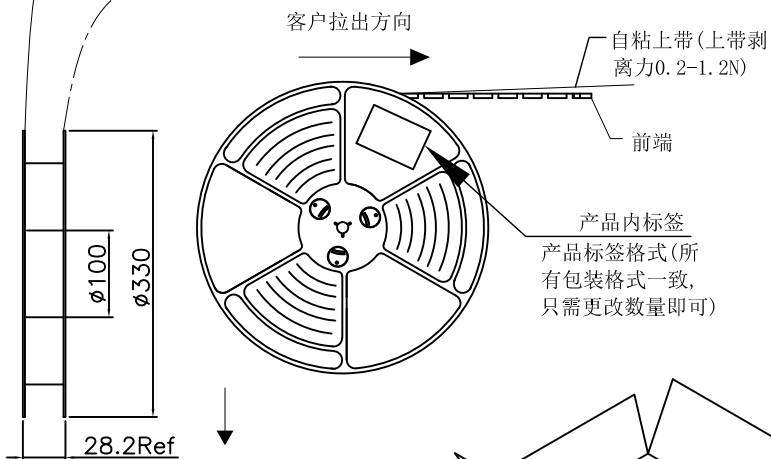
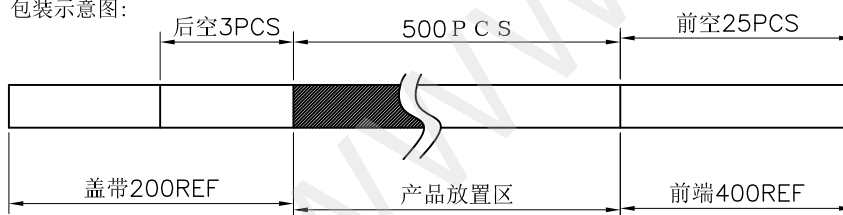


深圳市华宇创精密电子有限公司

TOLERANCE: X.X ±0.30 X.XX ±0.25 X.XXX ±0.15 X: ±2' X.X' ±0.5'	DRAWN BY : 陈一鸣	DATE : 2014-02-23	PART NAME: USB TYPE C 公座14P(7+7P) 铆合壳 Gen3.0立贴带接地 卡钩有防呆
	CHECKED BY: 马跃	DATE : 2014-02-23	PART NO. HYC678-USBC14-130
UNIT: mm [inch] SCALE:1:1 SIZE: A4	APPROVED BY: 邱敏	DATE : 2014-02-23	DRAW NO: HYC-2603120928
			SHEET NO. 1 OF 1



包装示意图:



备注:

1. 把上下载带送入载带机进行调整, 然后将产品按照指定的方式摆入下载带中, 开动卷带机进行卷装 (每卷包500PCS), 卷装完成后需用上带缠绕最少20CM;
2. 在卷装OK的每卷盘面的指定位置上贴上物料和RoHS标签装入纸箱内; 每箱装10盘
3. 纸箱用封箱带将其封好, 胶带要求工字型, 不可遮住标签;
4. 如果客户对包装标签另有要求, 请按客户要求作业; 有未满足之零数箱需用缓冲材料填充;
5. 上载带剥离力: 0.2-1.2N ;
6. A, B, , C, D, E, F, G, H, I, J, , L, M, N, O款共用此载带包装.



深圳市华宇创精密电子有限公司

TOLERANCE: X.X ±0.30 X.XX ±0.25 X.XXX ±0.15 X' ±2' X.X' ±0.5'	DRAWN BY : 陈一鸣	DATE : 2014-02-23	PART NAME: 包装图	
	CHECKED BY: 马跃	DATE : 2014-02-23	PART NO.	
UNIT: mm [inch] SCALE:1:1 SIZE: A4	APPROVED BY: 邱敏	DATE : 2014-02-23	DRAW NO:	
			SHEET NO.	1 OF 1